

VERTEX STEREO VOLUME/EXP SPECIFICATIONS

Connections	Input 1/2, Output 1/2, Expression (EXP)
Potentiometer	25K ohm
Dimensions	11.5" x 4.38" x 2.88"
Weight	2.68 lbs.

The Stereo Volume/EXP Pedal is designed for the ultimate transparency and tone, while maintaining 100% passive operation. This device is designed on the platform of a Boss FV-500 volume pedal, but completely removes all unnecessary components affecting the purity of the guitar signal, and then re-wires the unit to only its essential components. This results in a completely transformed pot taper, a more "open" and dynamic sweep, and superior interaction between the guitar(s), pedal(s), and amplifier(s).

The features include:

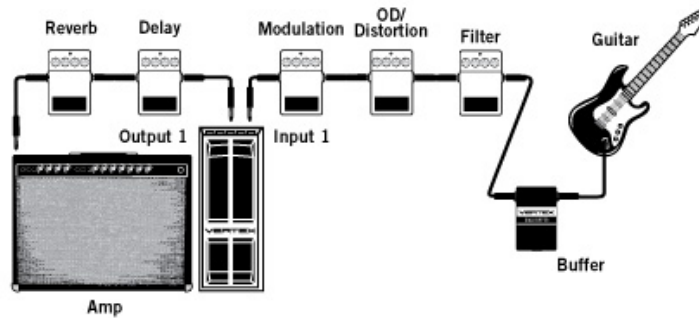
- Mono or stereo operation
- Compatible with low impedance signals ONLY
- Ideal for buffered pedalboard/racks, effects loops, and/or active pickups
- 100% passive
- Expression compatible (with TRS cable)
- Refined aesthetic design
- Modified & handcrafted in the San Francisco Bay Area

Non-Profit Donation

A portion of all Vertex Volume/EXP Pedal sales will support Title I schools and students, improving the academic achievement of the disadvantaged in Elementary and Secondary education.

VERTEX STEREO VOLUME/EXP APPLICATIONS

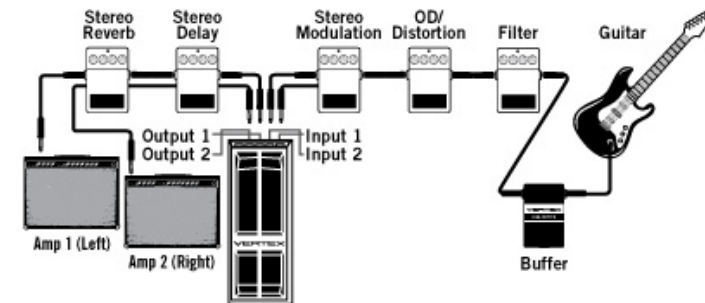
EXAMPLE 1



One use of the Vertex Volume/EXP Pedal is to place it after a buffer, filter, overdrive, distortion, and modulation pedals, but before any time-based effects. This is ideal for players that wish to attenuate the output level of their signal (master volume), while maintaining the same quality of the filtering, overdrive, distortion, modulation, and time-based effect trails without changing the tone.

**Note: Pairing a dedicated input buffer (like the Vertex Dual or Tri Buffer) with the Vertex Volume/EXP Pedal will optimize performance and tonality for the best possible results.*

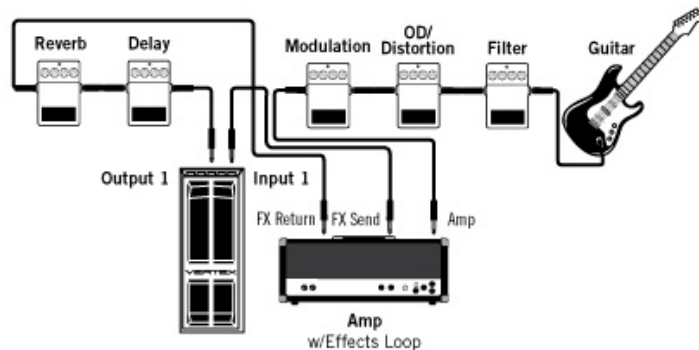
EXAMPLE 2



A second use of the Vertex Volume/EXP Pedal is to place it after a buffer, filter, overdrive, distortion, and stereo modulation pedals, but before any stereo time-based effects. This is ideal for players that wish to attenuate the output level of their signal (master volume), while maintaining the same quality of the filtering, overdrive, distortion, stereo modulation, and stereo time-based effect trails without changing the tone.

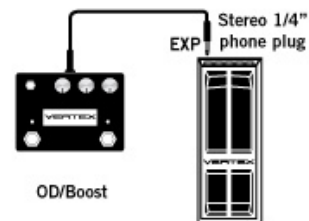
**Note: Pairing a dedicated input buffer (like the Vertex Dual or Tri Buffer) with the Vertex Volume/EXP Pedal will optimize performance and tonality for the best possible results.*

EXAMPLE 3



A third use of the Vertex Volume/EXP Pedal is to place in an amplifier effects loop before time-based effects. This is ideal for players that wish to attenuate the output level of their signal (master volume), while maintaining the same sonic quality and trails of the time-based effects without changing the overall tonality.

EXAMPLE 4



A fourth use of the Vertex Volume/EXP Pedal is as a dedicated expression pedal, compatible with all Vertex effects pedals featuring an EXP option. This is ideal for players that wish to have additional control at their feet to adjust level, gain, and other functions of their Vertex pedals. The expression function of the Vertex Volume/EXP Pedal may be compatible with other devices, however, it is designed specifically for use with Vertex devices.

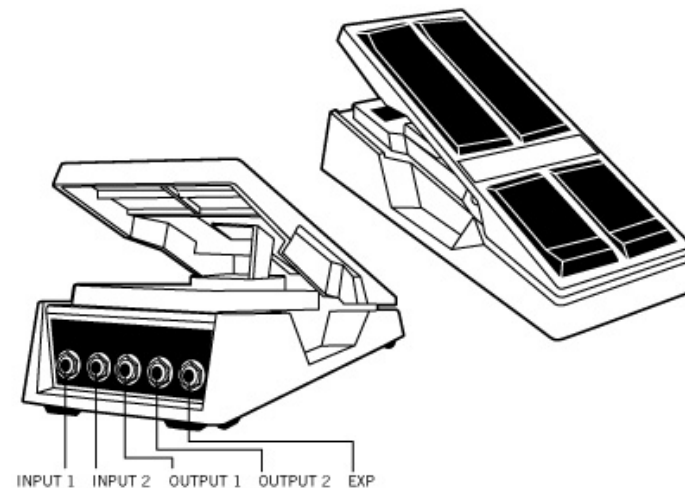
**Note that the expression function of the Vertex Volume/EXP Pedal requires a TRS cable with stereo 1/4" phone plugs at both ends.*

ADJUSTING PEDAL FEEL

Users may adjust the feel of the Vertex Volume/EXP Pedal by rotating the "PEDAL FEEL" adjustment screw on the bottom of the unit with a Phillips-head screwdriver. Turning the screw to the left (LIGHT), will result in a lighter feeling foot-pedal, while turning the screw to the right (HEAVY), will result in a heavier feel.



VERTEXTM STEREO VOLUME/EXP



MODIFIED IN THE U.S.A.